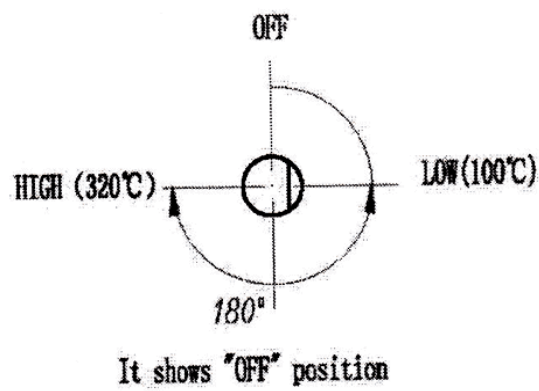


Diameter 1.0 length 2500
Stainless steel



ground terminal

Technical Parameter	Temp. Range	100°C~320°C	Insulation Resistance	≥50 MΩ
Contact Resistance	≤30 mΩ		Dielectric Strength	2500V/1min
D.P.S.T			Temp. Change Speed	1K/min
			Breaking capacity	~250V 25A

Схема капиллярного двухполюсного термостата WY-R122-320